

OPAL SUSHI

SEMI VERTICAL MULTI-DECK



Kaplanlar



OPAL SUSHI

SEMI VERTICAL MULTI-DECK






OPAL SUSHI is designed with a space-saving and compact structure, this unit provides comfortable and ergonomic access. It can be easily customized to match different concepts, making it well suited for presenting a broad variety of food options. Its modular design supports flexible configurations, simplifies maintenance processes, reduces operating expenses, and ensures reliable, high-performance operation.

Benefits & Specifications:

- Compact design with a small footprint
- Ergonomic engineering for easy access
- Fully adaptable to various concepts
- Ideal for a wide range of food presentations
- Engineered for modular configurations
- Streamlined maintenance processes
- Low operational expenses
- Ensures high-performance standards

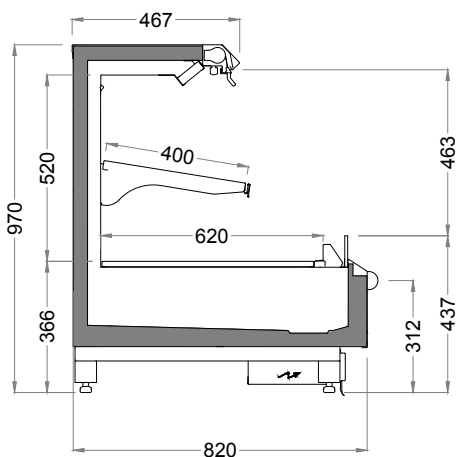
Dimensions (mm):

Height : 970
 Length : 1250 / 1875 / 2500 / 3750
 Depth : 821

SYSTEM	TEMPERATURE CLASS	REFRIGERANT	ENERGY CLASS
REMOTE	M0 - M1 - M2	HFC HFC/HFO CO ₂	

* Contact us for details on alternative refrigerant options.

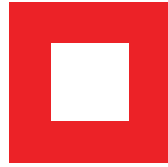
Technical Data



OPAL SUSHI

Length mm | 1250 / 1875 / 2500 / 3750

> REFLECT <
CASE+



TEKNOSAB 28. Cadde No: 1
16700 Karacabey / Bursa, Türkiye

www.kaplanlar.com