

# CITRINE 800 SS PL

SELF - SERVICE INTEGRAL COUNTER





# CITRINE 800<sup>0</sup> SS PL

SELF - SERVICE INTEGRAL COUNTER

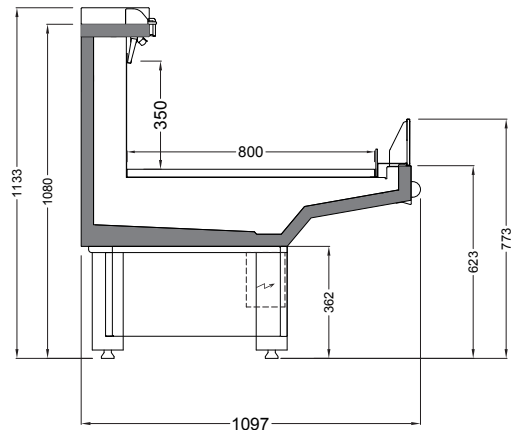
## Benefits & Specifications:

- High product visibility
- Stand out features for concept building
- Small footprint with compact design
- Easy access and ergonomic design
- Adds dynamic perspective
- Easily adaptable to changes of product



## Dimensions (mm):

Height : 1133  
Length : 1250  
Depth : 1100



SYSTEM	OPERATING TEMP. °C	REFRIGERANT
PLUG-IN	-1 / +1 +2 / +4	HC HFC blend HFC / HFO blend

HC: R290 / R1270 · HFC: R407A / R407F / R134a / R404A · HFC / HFO: R448A / R449A / R452A / R450A

CITRINE 800 SS PL

Length mm | 1250

Kaplanlar reserves the right to make appropriate technical modifications without prior notice.