

# FISH SLAB

SERVE-OVER INTEGRAL COUNTER





# FISH SLAB

SERVE-OVER INTEGRAL COUNTER



### Benefits & Specifications:

- User-friendly
- Small footprint with compact design
- Easy access and ergonomic design
- Customized solutions for individual needs
- Fully configurable to different concepts
- Easily adaptable to seasonal needs
- Low operating costs
- Simplified maintenance
- Wide range of future/ refrigerant options

### Dimensions (mm):

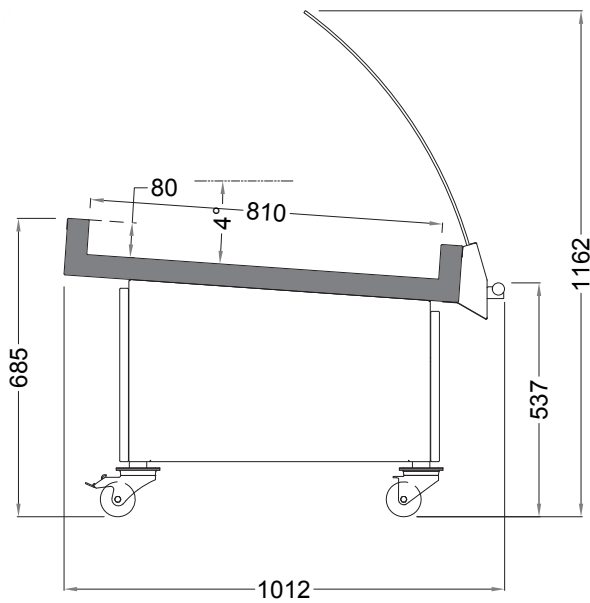
Height :1162  
Length :1250 / 2500  
Depth : 1012

SYSTEM	OPERATING TEMP. °C	REFRIGERANT
PLUG-IN	-1 / +1	HC HFC blend HFC / HFO blend

HC: R290 / R1270 · HFC: R407A / R407F / R134a / R404A · HFC / HFO: R448A / R449A / R452A / R450A



## TECHNICAL DATA



### FISH SLAB

Length mm | 1250 | 2500

YOUR  
WORLD  
OUR  
WORLD