

BERIL

SERVE-OVER INTEGRAL COUNTER

STORAGE PL





BERIL

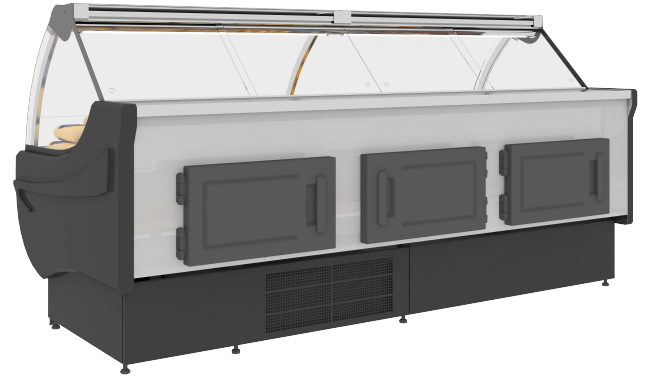
SERVE-OVER INTEGRAL COUNTER

STORAGE PL



Benefits & Specifications:

- Stand out features for concept building
- Small footprint with compact design
- Easy access and ergonomic design
- Adds dynamic perspective
- Ideal for wide variety of food presentations
- Easily adaptable to changes of product



Dimensions (mm):

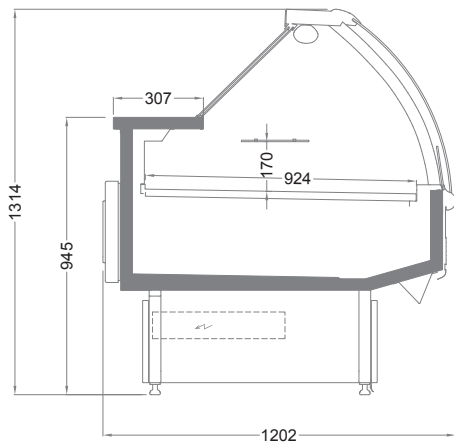
Height :1314
 Length :1250 / 1875 / 2500 / 3750
 Depth : 1202 (CG) / 1242 (SQ)

SYSTEM	OPERATING TEMP. °C	REFRIGERANT
PLUG-IN	-1 / +1 +2 / +4	HC HFC blend HFC / HFO blend

HC: R290 / R1270 · HFC: R407A / R407F / R134a / R404A · HFC / HFO: R448A / R449A / R452A / R450A

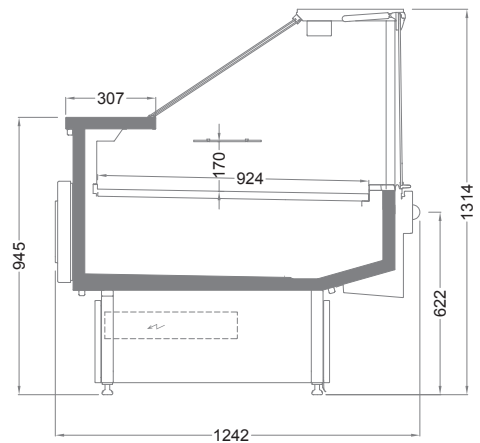


TECHNICAL DATA



BERIL PL 1314 / 1202 CG-AA-DP

Length mm | 1250 | 1875 | 2500 | 3750



BERIL PL 1314 / 1242 SQ-AA-DP

Length mm | 1250 | 1875 | 2500 | 3750

YOUR
WORLD
OUR
WORLD