

JASPER SQ

WELL ONLY SELF-SERVICE INTEGRAL CABINET



Kaplanlar



JASPER SQ

WELL ONLY SELF-SERVICE INTEGRAL CABINET

Innovation for the high-visibility all glass well only integral cabinet is essential step for the advancement of display cabinets.



Benefits & Specifications:

- Unique and stylish design
- High product visibility
- Mobile plug-in counter on hidden castors
- Header fitted on request for advertising cards
- User-friendly
- Small footprint with compact design
- Easy access and ergonomic design
- Easily adaptable to seasonal needs
- Low operating costs
- Simplified maintenance
- Wide range of future/ refrigerant options

Dimensions (mm):

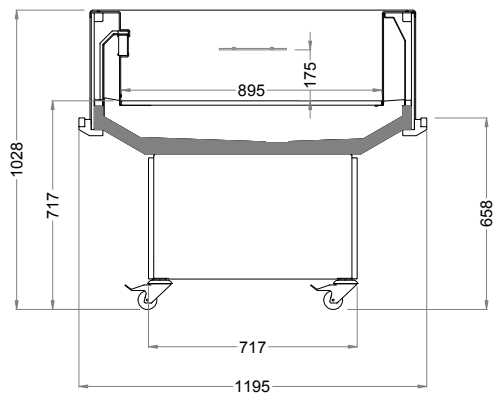
Height : 1028
Length : 1000
Depth : 1195

SYSTEM	OPERATING TEMP. °C	REFRIGERANT
PLUG-IN	-1 / +1 +2 / +4	HC HFC blend HFC / HFO blend

HC: R290 / R1270 • HFC: R407A / R407F / R134a / R404A • HFC / HFO: R448A / R449A / R452A / R450A



TECHNICAL DATA



JASPER SQ

Length mm | 1000

STAY COOL & KEEP FRESH

