

LIV

WELL ONLY SELF-SERVICE INTEGRAL CABINET





LIV

WELL ONLY SELF-SERVICE INTEGRAL CABINET

Liv is environmentally friendly well only chilled integral cabinet equipped with dynamic display trays to facilitate different loading of merchandise.

Liv is also used as self-service counter on which salad and olive components are provided for customers to assemble their own plates.



Benefits & Specifications:

- User-friendly
- Small footprint with compact design
- Easy access and ergonomic design
- Easily adaptable to changes of product
- Large display area
- Efficient in energy consumption
- Low operating costs
- A wide range of refrigerant options

Dimensions (mm):

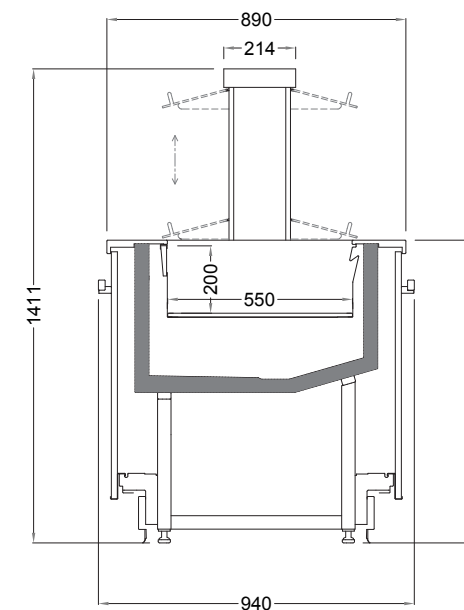
Height : 1410
 Length : 1646
 Depth : 940



TECHNICAL DATA

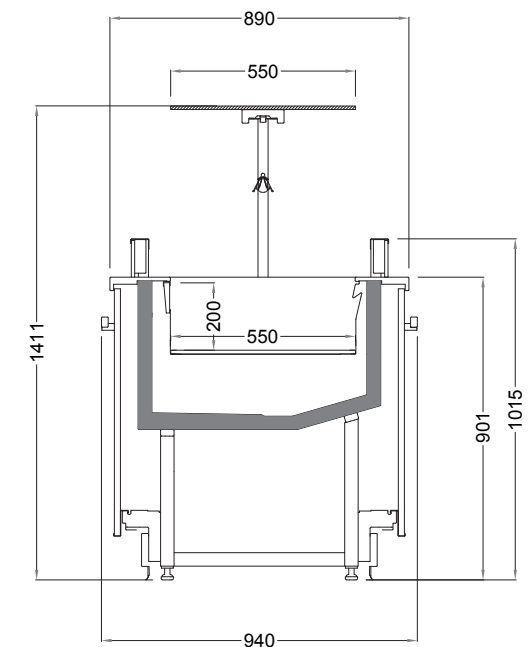
SYSTEM	OPERATING TEMP. °C	REFRIGERANT
PLUG-IN	-1 / +1	HC HFC blend HFC / HFO blend

HC: R290 / R1270 • HFC: R407A / R407F / R134a / R404A • HFC / HFO: R448A / R449A / R452A / R450A



LIV with Dynamic Sneeze Guard

Length mm | 1646



LIV

Length mm | 1646

STAY COOL & KEEP FRESH

