

LIMESTONE

SEMI VERTICAL PRODUCE CABINET





LIMESTONE

SEMI VERTICAL PRODUCE CABINET

Benefits & Specifications:

- Uses less energy while operating
- Keeps delicate fruit and veg crisp and fresh
- Ideal for displaying a wide variety of foods
- Designed for modular configuration
- Low operating costs with simple installation and maintenance
- Easily adapted for retrofit projects

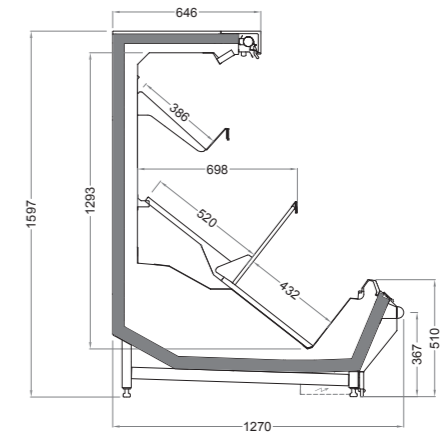


Dimensions (mm):

Height : 1600
 Length : 1250 / 1875 / 2500 / 3750
 Depth : 1270

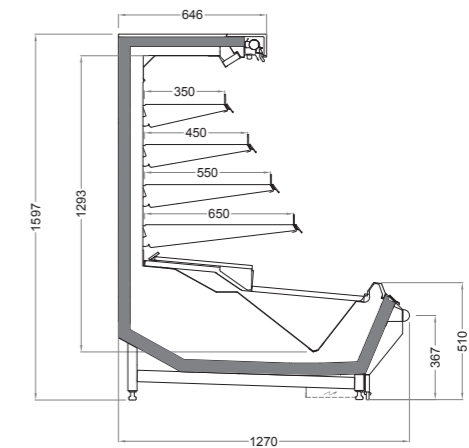
SYSTEM	OPERATING TEMP. °C	REFRIGERANT
REMOTE	-1 / +1 +2 / +4	HFC blend HFC/HFO blend CO ₂

HFC: R407A / R407F / R134a / R404A • HFC/HFO: R448A / R449A / R452A / R450A
 CO₂: R744



LIMESTONE 1600 / 1270 / 400

Length mm | 1250 | 1875 | 2500 | 3750



LIMESTONE 1600 / 1270 / 400

Length mm | 1250 | 1875 | 2500 | 3750

STAY COOL & KEEP FRESH

