



CITRINE GRAB & GO

SELF - SERVICE COUNTERS



Benefits & Specifications:

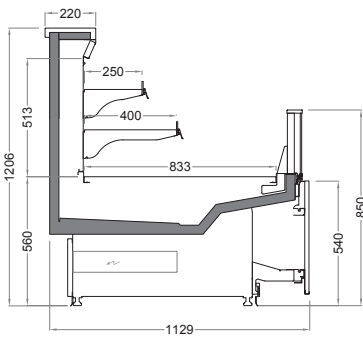
- Small footprint with compact design
- Ideal for a wide variety of food presentations
- Easily adaptable to seasonal needs
- Accessible and ergonomic

Dimensions (mm):

Height : 1206 / 1220 / 1500
 Length : 1250 / 1875 / 2500 / 3750
 Depth : 1129

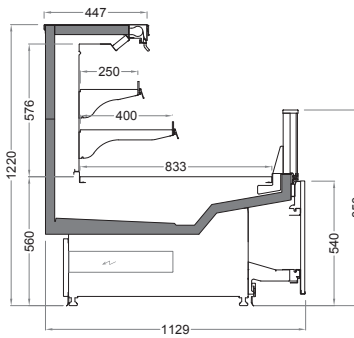
SYSTEM	OPERATING TEMP. °C	REFRIGERANT
REMOTE	-1 / +1 +2 / +4	HFC blend HFC/HFO blend CO ₂ Glycol / Water

HFC: R407A / R407F / R134a / R404A • HFC/HFO: R448A / R449A / R452A / R450A
 CO₂: R744 • GLYCOL/WATER: R718



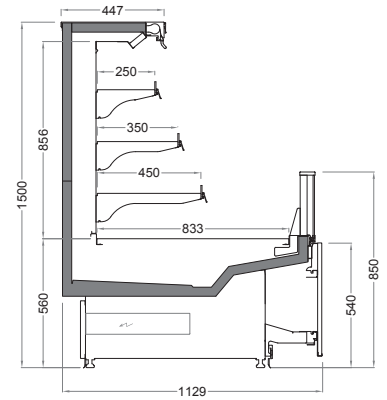
CITRINE GG 830/1200/1129/540-SQ-AA-NC

Length mm | 1250 | 1875 | 2500 | 3750



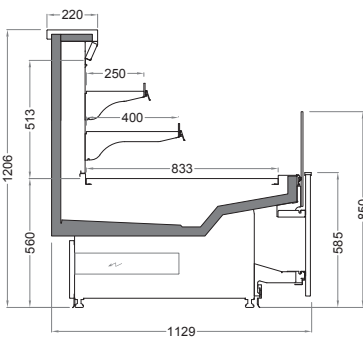
CITRINE GG 830/1220/1129/540-SQ-AA

Length mm | 1250 | 1875 | 2500 | 3750



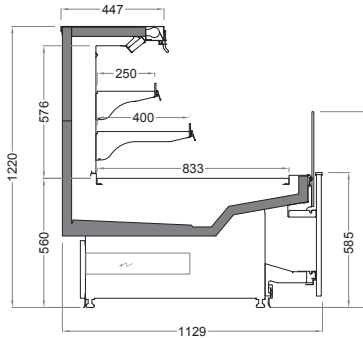
CITRINE GG 830/1500/1129/540-SQ-AA

Length mm | 1250 | 1875 | 2500 | 3750



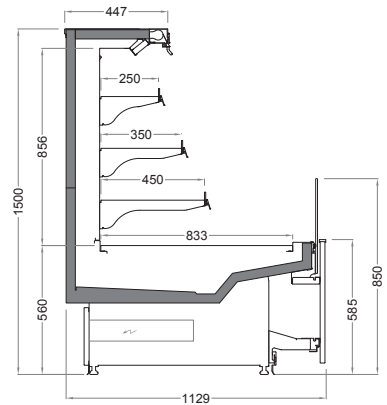
CITRINE GG 830/1200/1129/585-SQ-D-NC

Length mm | 1250 | 1875 | 2500 | 3750



CITRINE GG 830/1220/1129/585-SQ-D

Length mm | 1250 | 1875 | 2500 | 3750

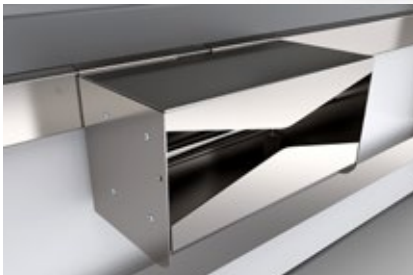


CITRINE GG 830/1500/1129/585-SQ-D

Length mm | 1250 | 1875 | 2500 | 3750



ACCESSORIES



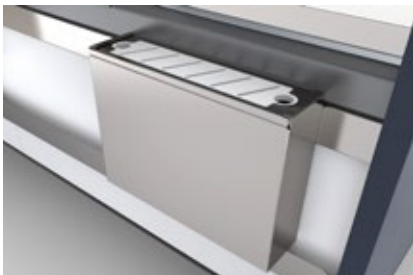
BAG DISPENSER



BIN



CUTTING BOARD



KNIFE HOLDER



PICK A BAG HOOKS



SCALE PLATFORM



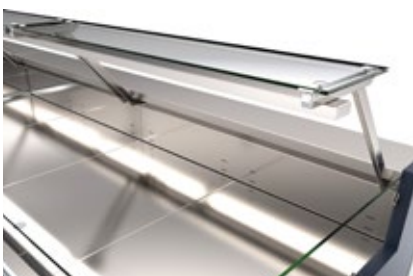
PRODUCT DIVIDER



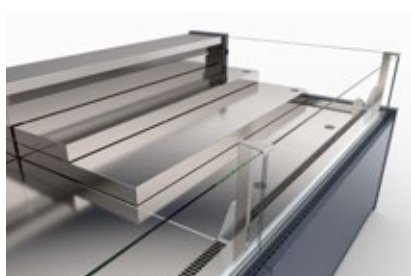
MODUL DIVIDER



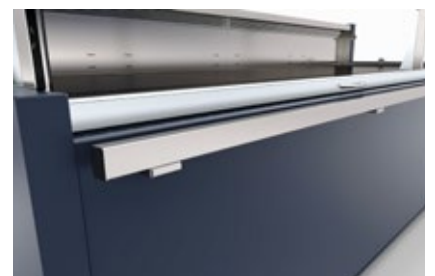
SLIDING REAR DOOR



REAR ARM WITH GLASS



STEPPED DECK



STAINLESS STEEL BUMPRAIL

STAY COOL & KEEP FRESH

