



CITRINE PATISSERIE

SERVE - OVER COUNTER



Benefits & Specifications:

- Commendable eye-catching display
- Multi- features to easy service operations
- Handy product replenishment through multi opening features
- Accessible and ergonomic
- Increased display area
- Dynamic lighting
- Fully configurable through different height options to different concepts



Dimensions (mm):

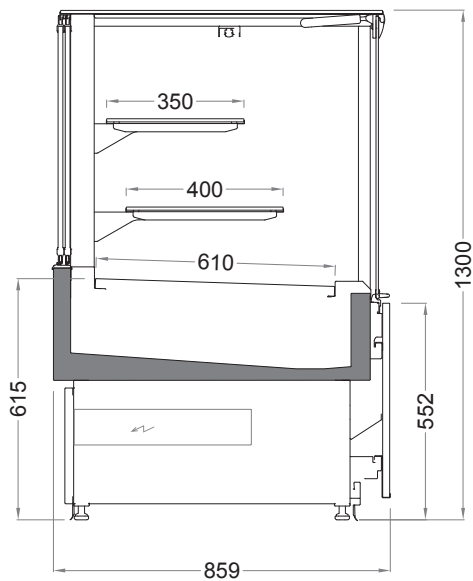
Height : 1554
Length : 1250 / 2500
Depth : 1150

SYSTEM	OPERATING TEMP. °C	REFRIGERANT
REMOTE	+3 / +5	HFC blend HFC/HFO blend CO ₂ Glycol / Water

HFC: R407A / R407F / R134a / R404A • HFC/HFO: R448A / R449A / R452A / R450A
CO₂: R744 • GLYCOL/WATER: R718



TECHNICAL DATA



CITRINE PATISSERIE | 1300 / 859 / 552 - SQ

Length mm | 1250 | 2500

STAY COOL & KEEP FRESH

