

MANHATTAN

WELL ONLY CHILLED INTEGRAL CABINET
WELL ONLY FROZEN INTEGRAL CABINET
WELL ONLY BI-TEMP INTEGRAL CABINET





MANHATTAN

WELL ONLY CHILLED INTEGRAL CABINET
WELL ONLY FROZEN INTEGRAL CABINET
WELL ONLY BI-TEMP INTEGRAL CABINET

Eye-catching design for multi-temperature purposes.

Elegant, ergonomic, high visibility and environmentally friendly.

You can switch operational temperature as you wish depending on seasonal purposes; chilled or frozen.



Benefits & Specifications:

- User-friendly
- Small footprint with compact design
- Easy access and ergonomic design
- Customized solutions for individual needs
- Fully configurable to different concepts
- Easily adaptable to seasonal needs
- Low operating costs
- Simplified maintenance
- Wide range of future refrigerant options



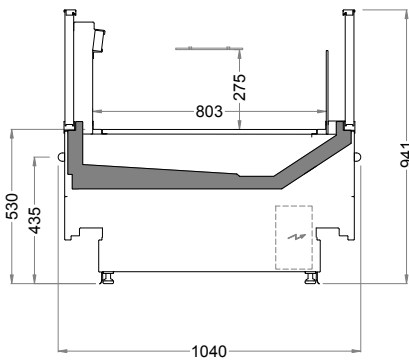
Dimensions (mm):

Height : 941 / 1000 (with Castors)
 Length : 1000 / 1500
 Depth : 1040

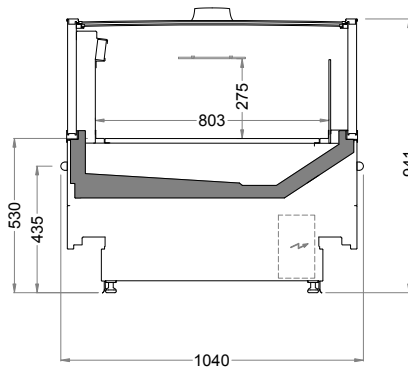


TECHNICAL DATA

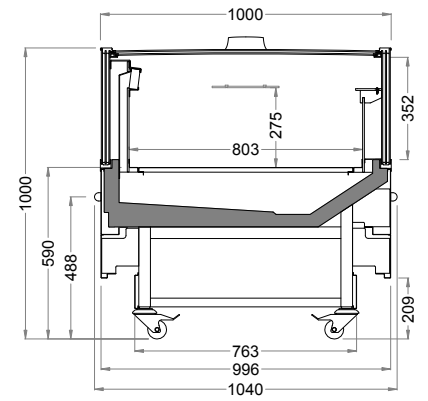
Manhattan



Manhattan with Glass Cover



Manhattan with Glass Cover & Castors



SYSTEM	OPERATING TEMP. °C	REFRIGERANT
PLUG-IN POSITIVE	-1 / +1 +2 / +4	HC HFC blend HFC / HFO blend
PLUG-IN NEGATIVE	-22 / -24 -20 / -22	
PLUG-IN BI-TEMP	CHILLED -1 / +1 +2 / +4 FROZEN -22 / -24 -20 / -22	

MANHATTAN

Length mm | 1000 | 1500

HC: R290 / R1270 • HFC: R407A / R407F / R404A • HFC / HFO: R448A / R449A / R452A

STAY COOL & KEEP FRESH

