



# CITRINE FISH

STATIC SELF - SERVICE & SERVE - OVER COUNTERS



### Benefits & Specifications:

- Flushed or tiered shelving for easy service
- Easily adaptable to seasonal needs
- Small footprint with increased display area
- Ideal for a wide variety of food&beverage presentations

### Dimensions (mm):

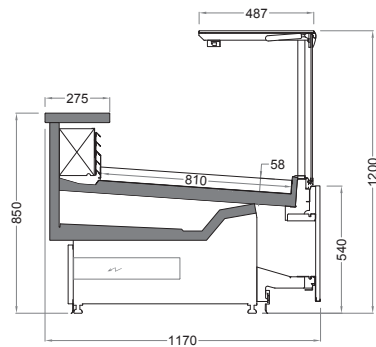
Height : 1200 (SQ) / 1225 (CG)  
 Length : 1250 / 1875 / 2500 / 3750  
 Depth : 1170(SQ) / 1195 (CG)

SYSTEM	OPERATING TEMP. °C	REFRIGERANT
REMOTE	-1 / +1	HFC blend HFC/HFO blend

HFC: R407A / R407F / R134a / R404A • HFC/HFO: R448A / R449A / R452A / R450A

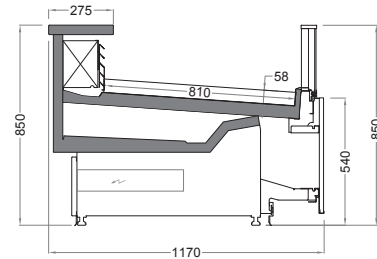


## TECHNICAL DATA



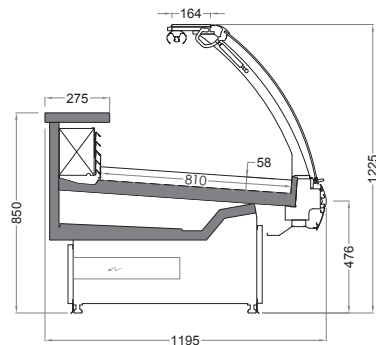
CITRINE 810 / 1200 / 1170 / 540 - SQ - AA - ST - FISH

Length mm | 1250 | 1875 | 2500 | 3750



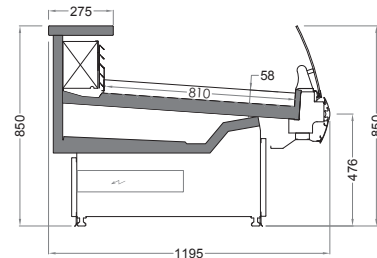
CITRINE 810 / 850 / 1170 / 540 - SQ - AA - ST - SS - FISH

Length mm | 1250 | 1875 | 2500 | 3750



CITRINE 810 / 1200 / 1195 / 540 - CG - AA - ST - FG - FISH

Length mm | 1250 | 1875 | 2500 | 3750



CITRINE 810 / 850 / 1195 / 540 - CG - AA - ST - SS - FISH

Length mm | 1250 | 1875 | 2500 | 3750

# STAY COOL & KEEP FRESH

