

ONEGA

FROZEN WELL ONLY CABINET





ONEGA

FROZEN WELL ONLY CABINET

WALL



Benefits & Specifications:

- User-friendly
- Easy access and ergonomic design
- Fully configurable to different concepts
- Ideal for wide variety of food presentations
- Easily adaptable to changes of product
- Designed for modular configurations
- Large display area
- Low operating costs
- Simplified maintenance
- Ideal for products with shorter shelf life

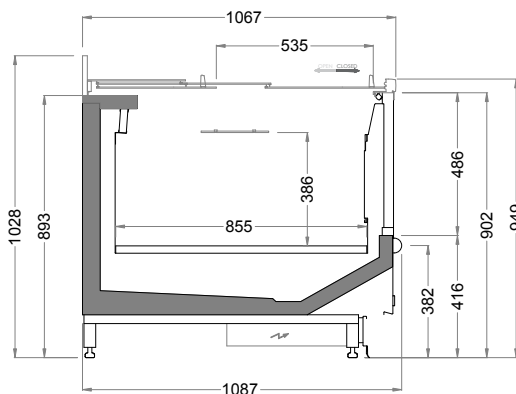
Dimensions (mm):

Height : 893
 Length : 1875 / 2500 / 3750 / 1875 (HC)
 Depth : 1087

| SYSTEM | OPERATING TEMP. °C | REFRIGERANT |
|--------|--------------------|---|
| REMOTE | -22 / -24 | HFC blend HFC / HFO blend CO ₂ |

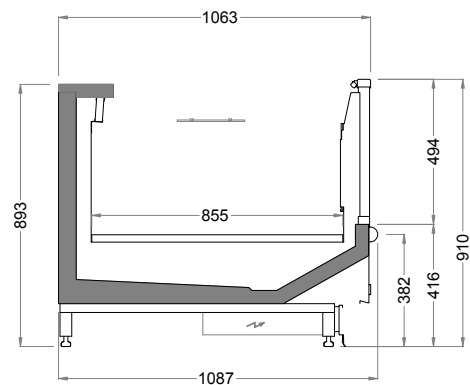
HFC: R407A / R407F / R404A • HFC / HFO: R448A / R449A / R452A • CO₂: R744

TECHNICAL DATA



ONEGA WALL with LIDS

Length mm | 1875 | 2500 | 3750 | 1875(HC)



ONEGA WALL w/o LIDS

Length mm | 1875 | 2500 | 3750 | 1875(HC)



ONEGA

FROZEN WELL ONLY CABINET

GLASS



Benefits & Specifications:

- Small footprint with compact design
- Easy access and ergonomic design
- Fully configurable to different concepts
- A compact design with multiple refrigerant options
- Easily adaptable to seasonal needs
- Designed for modular configurations
- Practical designs for simple installation and maintenance
- Easily adapted to retrofit projects
- Low operating costs



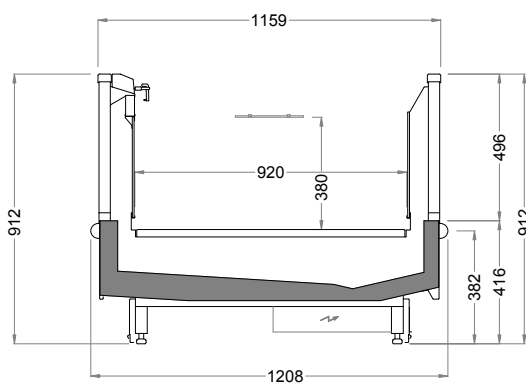
Dimensions (mm):

Height : 912
 Length : 1875 / 2500 / 3750
 Depth : 1087

| SYSTEM | OPERATING TEMP. °C | REFRIGERANT |
|--------|--------------------|---|
| REMOTE | -22 / -24 | HFC blend HFC / HFO blend CO ₂ |

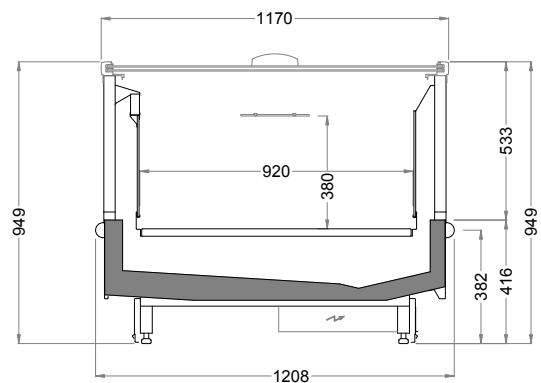
HFC: R407A / R407F / R404A • HFC / HFO: R448A / R449A / R452A • CO₂: R744

TECHNICAL DATA



ONEGA GLASS w/o LIDS

Length mm | 1875 | 2500 | 3750



ONEGA GLASS with LIDS

Length mm | 1875 | 2500 | 3750



ONEGA

FROZEN WELL ONLY CABINET

GLASS WIDE



Benefits & Specifications:

- Ideal for wide variety of food presentations
- Easily adaptable to changes of product
- Increased display area



Dimensions (mm):

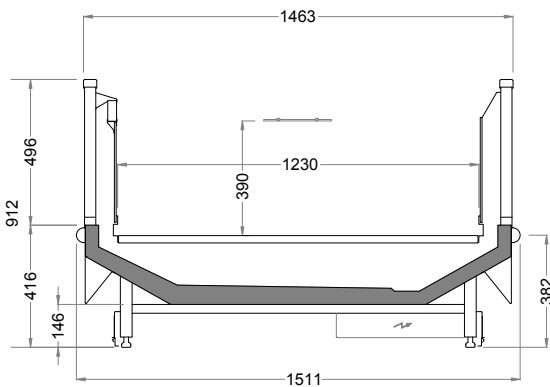
Height : 912
 Length : 1875 / 2500 / 3750
 Depth : 1511

| SYSTEM | OPERATING TEMP. °C | REFRIGERANT |
|--------|--------------------|---|
| REMOTE | -22 / -24 | HFC blend HFC / HFO blend CO ₂ |

HFC: R407A / R407F / R404A • HFC / HFO: R448A / R449A / R452A • CO₂: R744

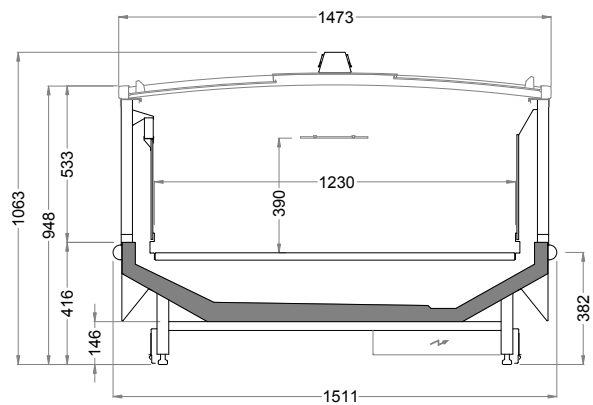


TECHNICAL DATA



OMEGA GLASS WIDE w/o LIDS

Length mm | 1875 | 2500 | 3750



OMEGA GLASS WIDE w/o LIDS

Length mm | 1875 | 2500 | 3750

STAY COOL & KEEP FRESH

