

FLORIT

SELF - SERVICE PRODUCE INTEGRAL COUNTER

INTEGRAL





FLORIT

SELF - SERVICE PRODUCE INTEGRAL COUNTER

INTEGRAL



Benefits & Specifications:

- Mobile plug-in cabinet on castors
- Sloped base deck for produce products merchandised in perforated produce crates
- High product visibility
- Easy access and ergonomic design
- Increased display area
- Simplified maintenance
- Delivers high standard of performance

Florit Integral Dimensions (mm):

Height : 1396
Length : 1250 / 1875 / 2500
Depth : 1360

Florit Integral with Lids Dimensions (mm):

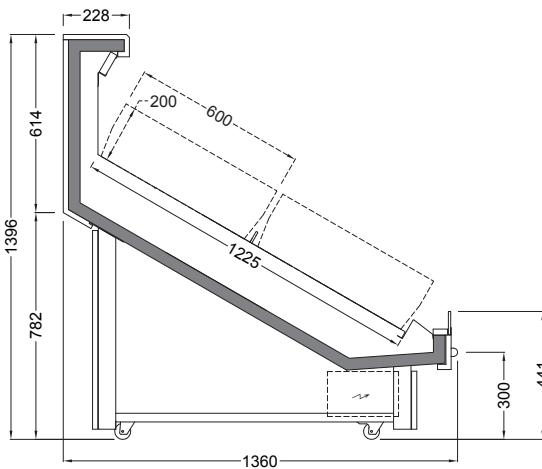
Height : 1514
Length : 1250 / 1875 / 2500
Depth : 1345

SYSTEM	OPERATING TEMP. °C	REFRIGERANT
PLUG-IN	+3 / +5	HC HFC blend HFC / HFO blend

HC: R290 / R1270 • HFC: R407A / R407F / R134a / R404A • HFC / HFO: R448A / R449A / R452A / R450A

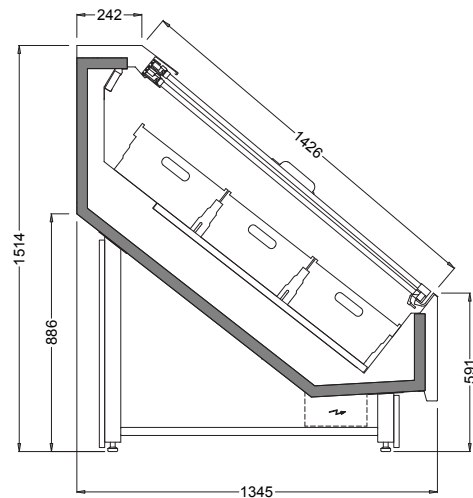


TECHNICAL DATA



FLORIT INTEGRAL

Length mm | 1250 | 1875 | 2500



FLORIT INTEGRAL with Lids

Length mm | 1250 | 1875 | 2500

STAY COOL & KEEP FRESH

