

# LINDAU

SELF-SERVICE INTEGRAL COUNTER



Kaplanlar



# LINDAU

SELF-SERVICE INTEGRAL COUNTER



### Benefits & Specifications:

- User-friendly
- Small footprint with compact design
- Easy access and ergonomic design
- Easily adaptable to changes of product
- Ideal for a wide variety of food presentations
- Stand out features for concept building
- Adds dynamic perspective

### Dimensions (mm):

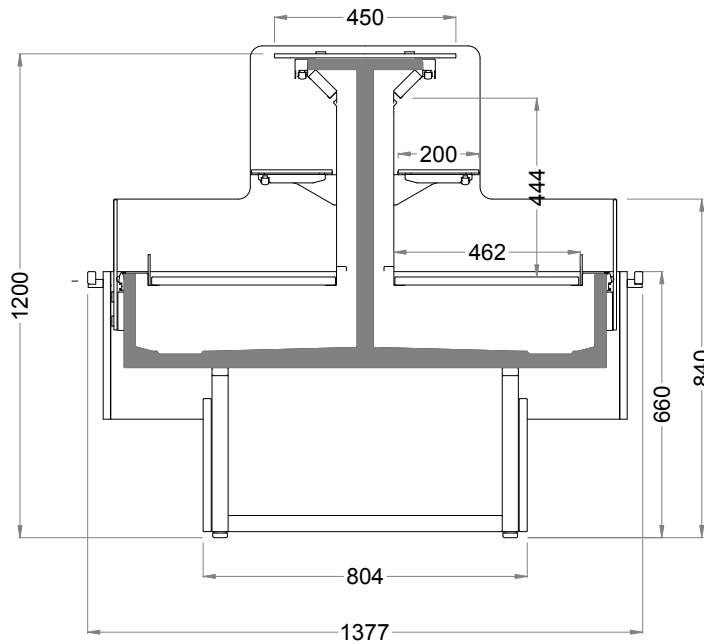
Height : 1200  
Length : 1875/2500/3750  
Depth : 1377



## TECHNICAL DATA

SYSTEM	OPERATING TEMP. °C	REFRIGERANT
PLUG-IN	-1 / +1 +2 / +4	HC HFC blend HFC / HFO blend

HC: R290 / R1270 • HFC: R407A / R407F / R134a / R404A • HFC / HFO: R448A / R449A / R452A / R450A



LINDAU

Length mm | 1875 | 2500 | 3750

# STAY COOL & KEEP FRESH

