



CITRINE PIZZA

SELF - SERVICE PIZZA COUNTER



Benefits & Specifications:

- Stand out features for concept building
- Handy product replenishment
- Pick and mix topping service



Dimensions (mm):

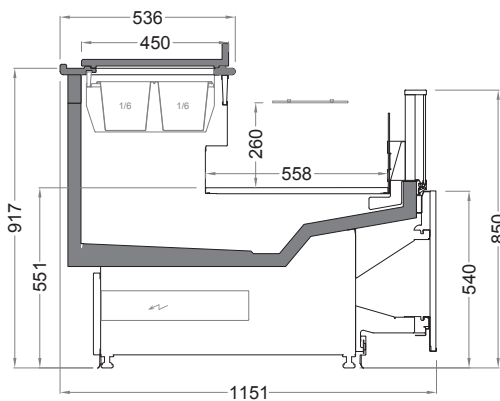
Height : 917
 Length : 1250 / 2500 / 3125 / 3750
 Depth : 1151

SYSTEM	OPERATING TEMP. °C	REFRIGERANT
REMOTE	+2 / +4	HFC blend HFC/HFO blend CO ₂ Glycol / Water

HFC: R407A / R407F / R134a / R404A • HFC/HFO: R448A / R449A / R452A / R450A
 CO₂: R744 • GLYCOL/WATER: R718

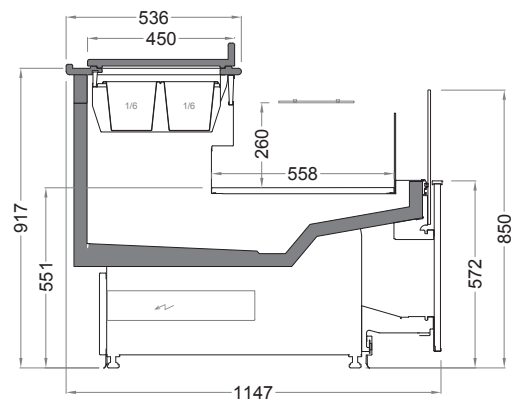


TECHNICAL DATA



CITRINE PIZZA / 850 / 1151 / 540 - SQ - AA

Length mm | 1250 | 2500 | 3125 | 3750



CITRINE PIZZA / 850 / 1151 / 540 - SQ - D

Length mm | 1250 | 2500 | 3125 | 3750

STAY COOL & KEEP FRESH

